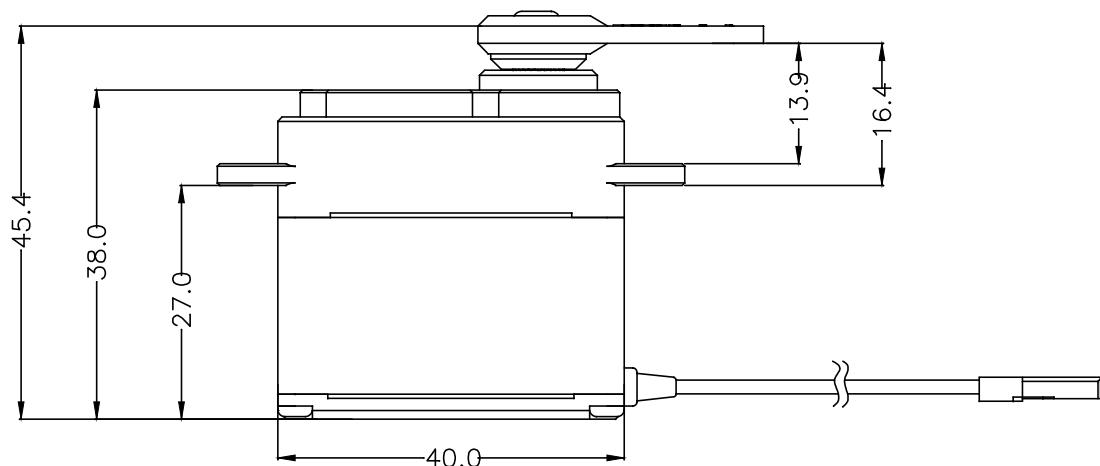
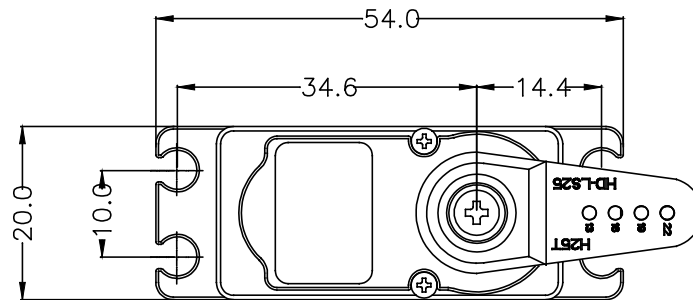


# GENERAL SPECIFICATION OF HSB-9381TH ULTRA TORQUE BLDC SERVO

## 1. TECHNICAL VALUE

CONTROL SYSTEM	:+PULSE WIDTH CONTROL 1500usec NEUTRAL	
OPERATING VOLTAGE RANGE	:6.0V TO 7.4V	
OPERATING TEMPERATURE RANGE	:-20°C TO +60°C(-4°F TO +140°F)	
TEST VOLTAGE	:AT 6.0V	AT 7.4V
OPERATING SPEED	:0.17sec/60° AT NO LOAD	0.14sec/60° AT NO LOAD
STALL TORQUE	:34.0kg.cm(472.16oz.in)	34.0kg.cm(472.16oz.in)
STANDING TORQUE	:—	—
IDLE CURRENT	:27mA AT STOPPED	27mA AT STOPPED
RUNNING CURRENT	:250mA/NO LOAD RUNNING	250mA/NO LOAD RUNNING
STALL CURRENT	:2700mA	2100mA
DEAD BAND WIDTH	:1usec	1usec
OPERATING TRAVEL	:ONE SIDE PULSE TRAVELING 400usec	
DIRECTION	:CLOCK WISE/PULSE TRAVELING 1500 TO 1900usec	
MOTOR TYPE	:BLDC	
POTENTIOMETER TYPE	:4 SLIDER/1M CYCLE LONG LIFE/INDIRECT DRIVE	
AMPLIFIER TYPE	:DSPIC33 MCU DIGITAL AMPLIFIER WITH MOSFET DRIVE	
CASE TYPE	:FULL METAL CASE	
DIMENSIONS	:40x20x38mm(1.57x0.79x1.50in)	
WEIGHT	:79g(2.78oz)	
BALL BEARING	:DUAL/MR106	
GEAR MATERIAL	:1 METAL-PLASTIC & 3 TITANIUM ALLOY	
HORN GEAR SPLINE	:25 SEGMENTS/ø6.0	
SPLINED HORNS	:HEAVY DUTY/LS25, IM25, OS25, X25, IL25, LL25, IG25, LG25	
CONNECTOR WIRE LENGTH	:300mm(11.81in)	
CONNECTOR WIRE STRAND COUNTER	:80EA	
CONNECTOR WIRE GAUGE	:20AWG	



## 2. FEATURES

- PROGRAMMABLE DIGITAL AMPLIFIER WITH MOSFET DRIVE
- DURABLE TITANIUM ALLOY METAL GEARS WITH DUAL BALL BEARING
- HEAT SINK FOR MOTOR
- FULL METAL CASE

## 3. APPLICATIONS

- LARGE AIR PLANE MODELS